



Comprehensive security

Print release: An optional card reader lets the MX910 Series confirm the identity of a user before releasing a print job they've sent—or offers them a choice of documents printed on demand.

Remote manageability: Control device settings from any browser (when network-connected), including security settings, device defaults, consumable alerts and more.

Network security: A comprehensive set of enterprise-class network security features and protocols are built in to protect your device, your information and your network—including SNMPv3 and IPSEC.

Secure storage: The standard encrypted hard disk features advanced functions like automatic disk wiping and manual “out of service” disk wiping to ensure confidential information doesn't end up in the wrong place.

Sustainable design

Energy-saving sleep modes: When not in use, the MX910 Series goes into a sleep mode that takes less than four watts of power—as little as a traditional night light.

Duplexing: Integrated two-sided printing, a user-selectable option, saves paper and doesn't slow you down, printing individual sheet sides (images) at up to each device's rated speed.

Portal to productivity

The MX910 Series' tilting, 25 cm class colour touch screen keeps users informed of device status and error messages, while visually guiding them through tasks like clearing paper jams.

The large, vivid display is also ideal for print and scan preview, and has magnification and reverse image options to assist users with varying abilities.

And Lexmark's innovative e-Task user interface makes it easy to take advantage of pre-installed solutions like:

Forms and Favorites: Instantly access required online forms from any Lexmark printer or multifunction product (MFP) to help simplify and streamline work processes.

Multi Send: Scan a paper document once and route the digital image file to multiple destinations simultaneously.

My Shortcuts: Save time and improve efficiency by creating shortcuts for your most frequent copy, fax and email tasks.

Card Copy: Scan both sides of a wallet-sized card and print them on one page, email them as a file or save them to a shared network folder.

Scan to Network (Basic): Capture the image of a document and route it to one of 30 predefined personal or public network folders.



Additional available solutions include:

Lexmark Print Management: Improve the efficiency of your output environment by helping to reduce unnecessary printing and gain valuable insight into how your output infrastructure is utilised.

Lexmark Smart Card Authentication: A comprehensive collection of apps enables secure smart card authentication on Lexmark printing and imaging devices.

Advanced finishing options

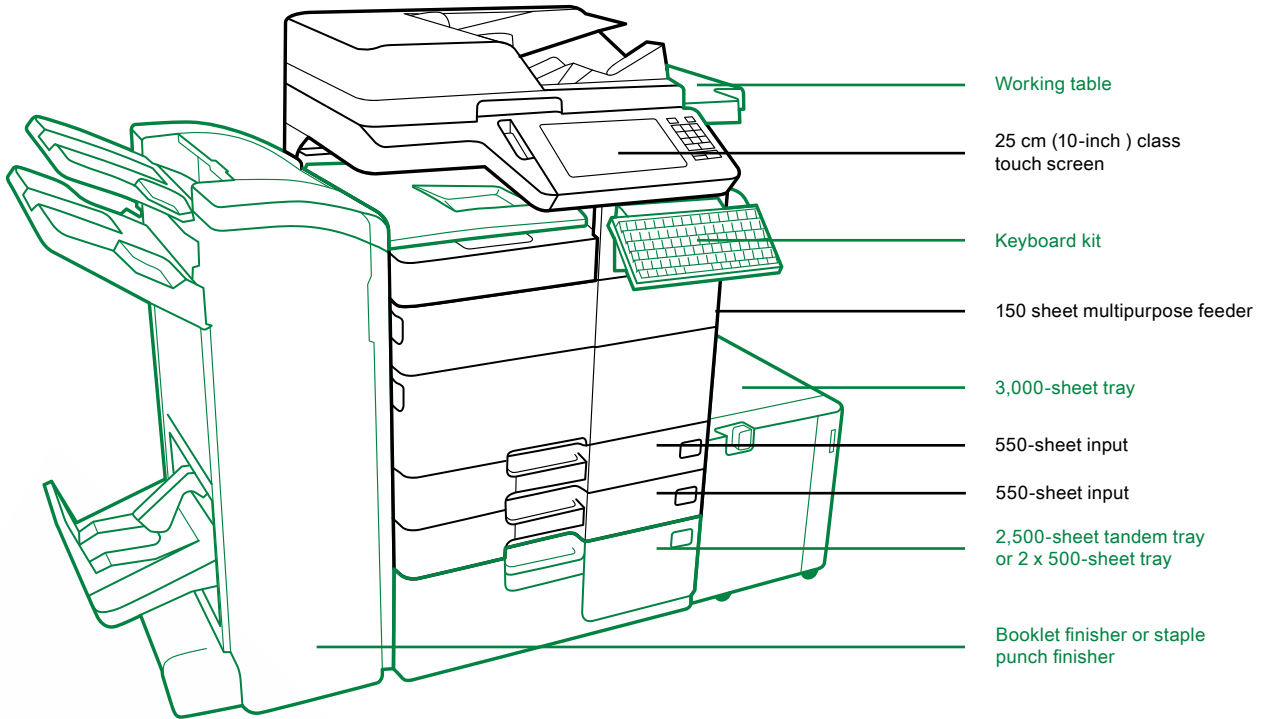
Simple finishing: Optional staple finisher has the ability to singleposition-staple up to 50 sheets or offset the print job without increasing the footprint of the multifunction product (not compatible with the MX912).

Staple and hole punch finishing: Optional floor-standing finisher offset stacks, multi-position-staples and hole-punches in popular configurations. The floor-standing finishers can staple or holepunch at up to the device's maximum rated print speed for complete efficiency.

Booklet finishing: Automated folding functionality in optional finisher lets you create tri-fold documents or booklet-style ones with saddle-stitched binding, plus all the options of the staple hole punch finisher.

The Lexmark user experience

Your users will appreciate the consistent user interface of Lexmark devices. And every Lexmark device is right at home as part of Lexmark managed print services (MPS), as well as the worldwide Lexmark service network that backs up the MX910 Series for maximum uptime and fewer service worries.



- Standard
- Optional